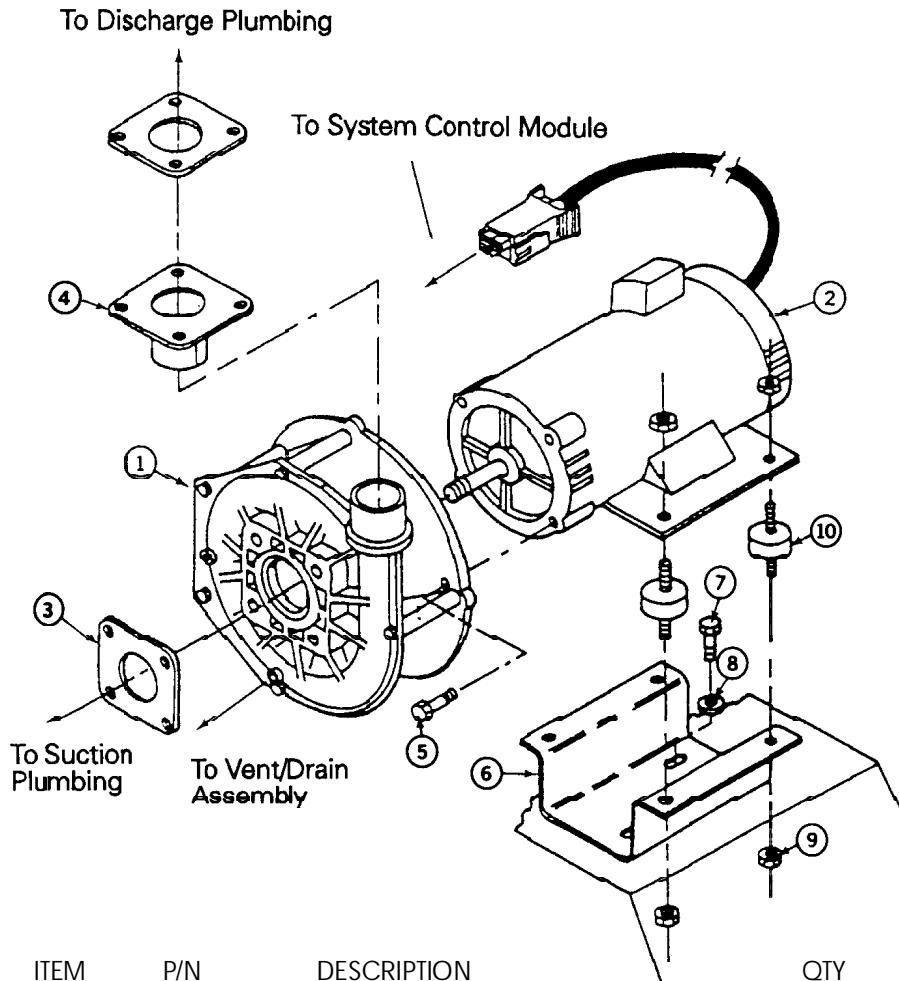




SPAS

PUMP/MOTOR ASSEMBLIES

PLEASE NOTE: If you desire to order P/N 4580000, substitute P/N 8501000. For P/N 4583000 substitute P/N 8566000. When ordering P/N 4634000 substitute P/N 9011000.

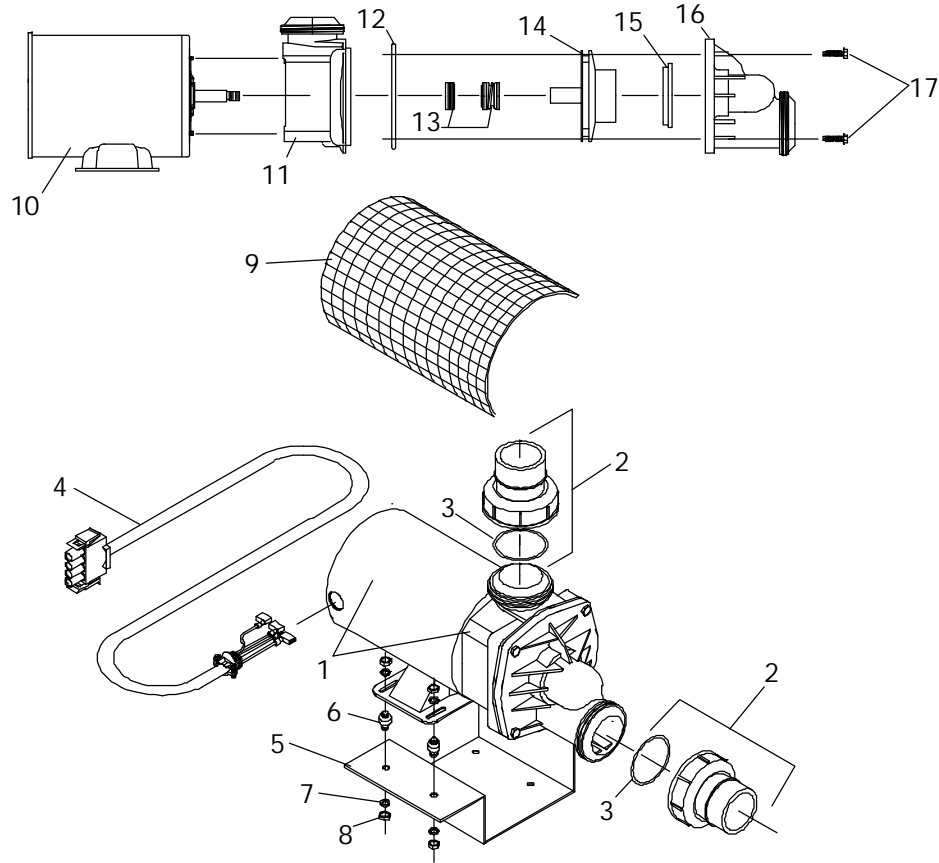


ITEM	P/N	DESCRIPTION	QTY
1	8501000	Pump Assembly, .75 HP	1
1	9011000	Pump Assembly, 1.0 HP	1
1	8566000	Pump Assembly, 2.0 HP	1
2	252000	Motor, .75 HP, 115/230V, Drip-Proof	1
2	2812000	Motor, 2 Speed, 13.5/4.9A 115V 60 Hz	1
2	2554000	Motor, 2.0 HP, 115/230V, Drip-Proof	1
3	0199000	Gasket, Pump Flange	2
4	4516000	Flange, Pump 2"	1
5	3953832	Bolt, Hex 3/8-16 x 1.00"L.	4
6	4477000	Bracket, Motor 1" High	1
7	3951832	Bolt, Hex 5/16-18 x 1.00"L.	4
8	3983832	Washer, 5/16 Flt, Type A Pln Wd Ser	4
9	4034832	Nut, Locking Hd Kep Type 1/4-20	8
10	3689000	Vibration Damper	4
N.S.	9216000	Well Nut, Rubber, 1/4-20	4



SPAS

J-PUMP/MOTOR ASSEMBLY

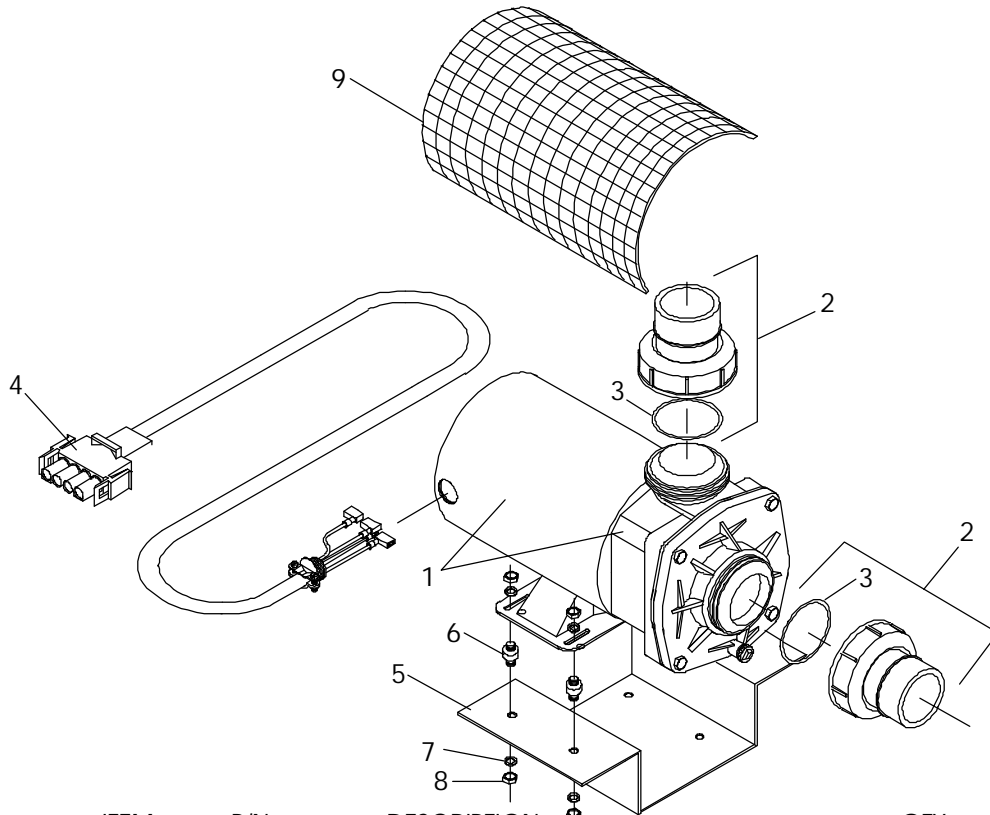
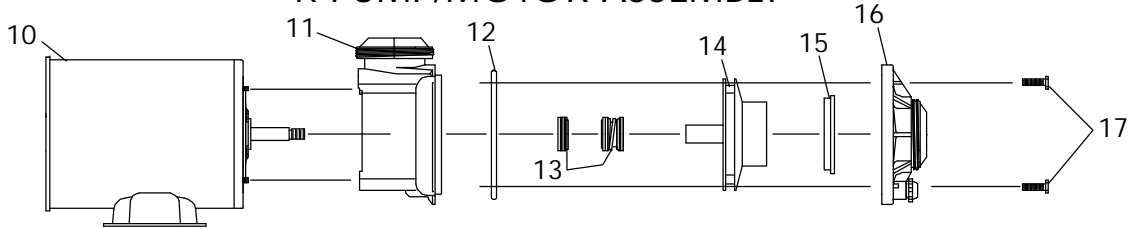


ITEM	P/N	DESCRIPTION	QTY
1	F569000	J-Pump/Motor, 230V, 60 Hz	1
1	F570000	J-Pump/Motor, 2-Speed, 115V, 60 Hz	1
2	9250000	Repair Kit Union Adapter	2
3	9231000	O-Ring, Union	2
4	F122000	Plug Assy, Jets, 36" L., Snap-In	1
4	F036000	Plug Assy, 2-Speed, Snap-In	1
5	4477000	Bracket, Motor, 1" High	1
6	3689000	Vibration Damper	4
7	3982832	Washer, 1/4 Flt, Type A Pln Wd Ser	8
8	4034832	Nut, Lockng Hd Kep Type 1/4-20	8
9	K560000	Barrier, 12" x 14" Screen	1
10	C175000	Motor, 5.7A, 230V, 60 Hz	1
10	C180000	Motor, 16.1/4.4A, 115V, 60 Hz	1
11	F156000	Bracket, J-Pump	1
12	9246000	O-Ring, 5.475 ID x .210 Thk	1
13	9245000	Repair Assy, Ceramic Seal	1
14	C145000	Impeller, 2 HP, J-Pump	1
14	9221000	Impeller, .75 HP, J-Pump	1
15	9243000	Eye Seal, J-Pump	1
16	F157000	Suction Flange	1
17	F158000	Screw, Hex Washer Hd, 1/4-14 x 1"L.	4



SPAS

K-PUMP/MOTOR ASSEMBLY

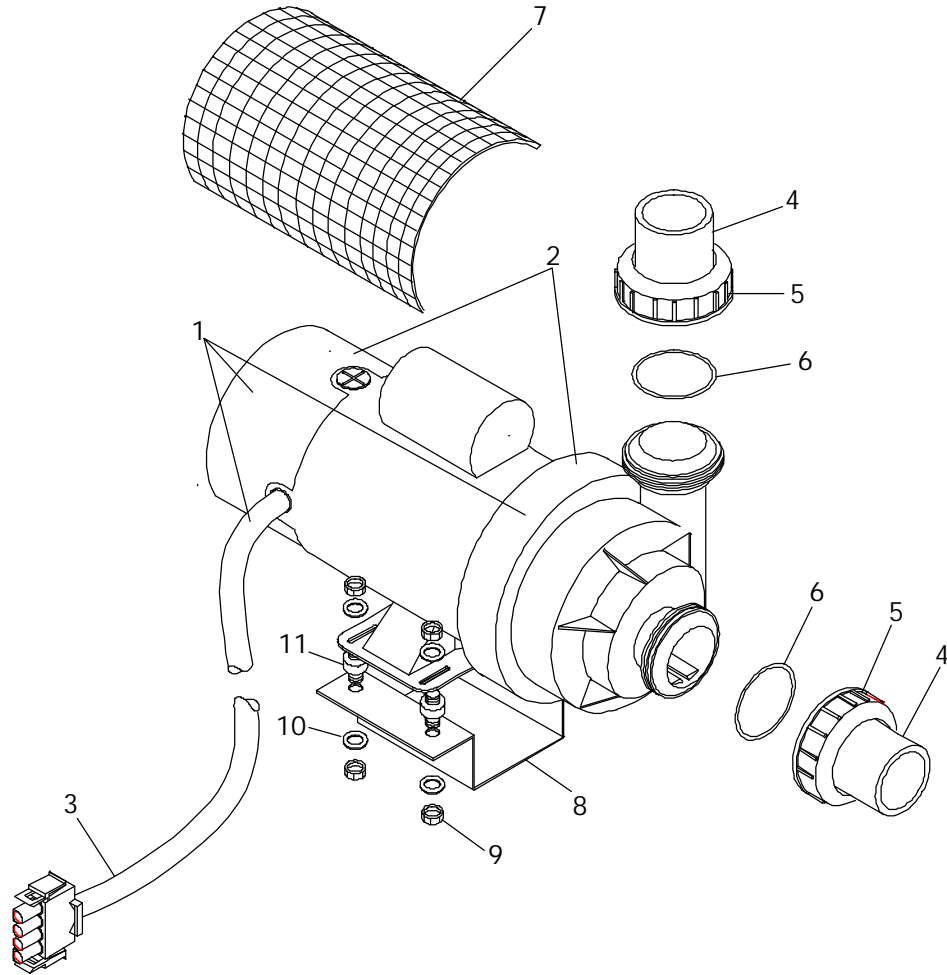


ITEM	P/N	DESCRIPTION	QTY
1	C182000	K-Pump/Motor, 230V, 60 Hz	1
2	9250000	Repair Kit, Union Adapter	2
3	9231000	O-Ring, Union	2
4	F121000	Plug Assy, Jets, 76"L., Snap-In	1
5	4477000	Bracket, Motor, 1" High	1
6	3689000	Vibration Damper	4
7	3982832	Washer, 1/4 Flt, Type A Pln Wd Ser	8
8	4034832	Nut, Lockng Hd Kep Type 1/4-20	8
9	K560000	Barrier, 12" x 14" Screen	1
10	C185000	Motor, 11.3/22.6 A, 230/115V 60 Hz	1
11	9247000	Bracket Case, J-Pump	1
12	9246000	O-Ring, 5.475 ID x .210 Thk	1
13	9245000	Repair Assy, Ceramic Seal	1
14	B913000	Impeller, J-Pump	1
15	9243000	Eye Seal, J-Pump	1
16	F189000	Suction Flange, K-Pump	1
17	7939000	Bolt, Hex, 1/4-20 x .88"L.	4



SPAS

230V PUMP/MOTOR/CORD ASSEMBLY

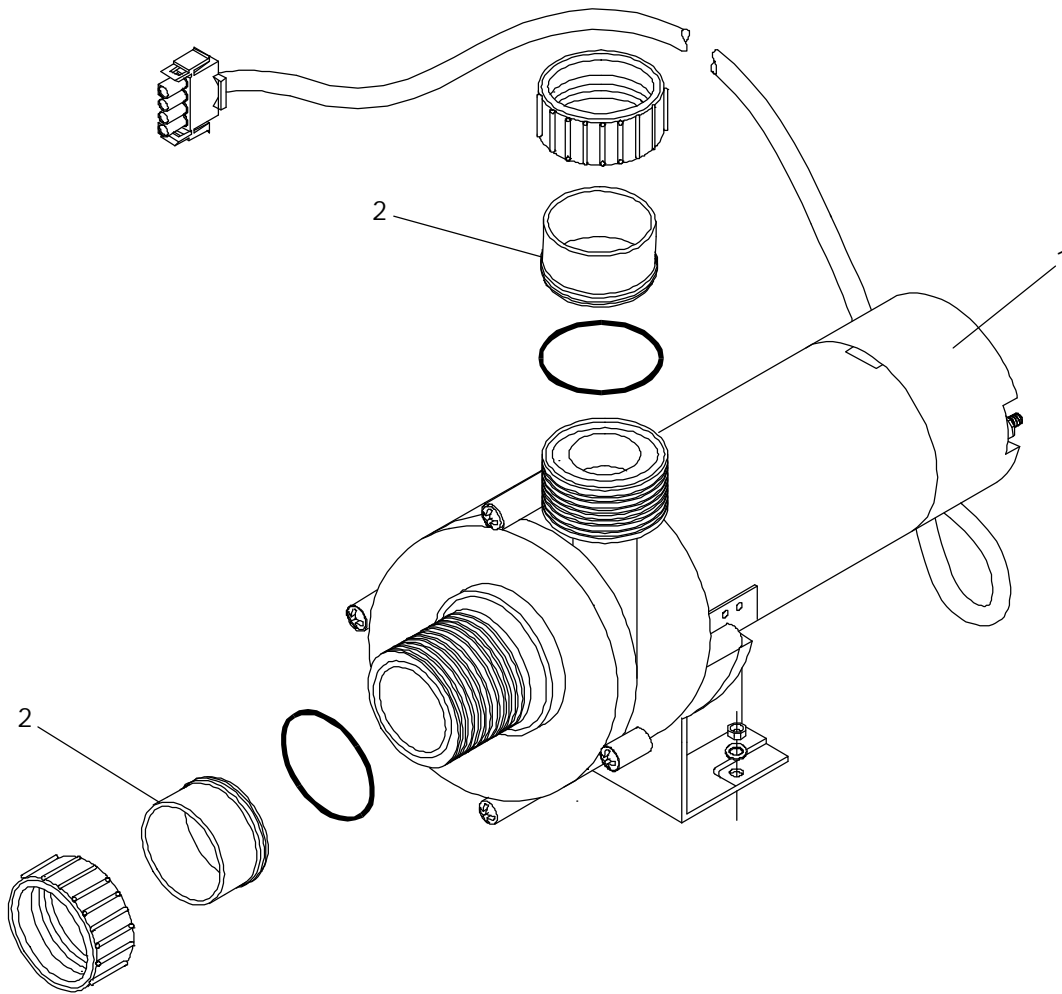


ITEM	P/N	DESCRIPTION	QTY
1	K119000	Pump/Motor/Cord, 230 V, 60 Hz	1
2	K448000	Pump/Motor, 230V, 60 Hz	1
3	F123000	Plug Assy, Jets, 90" L., Snap-In	1
4	K114000	Adapter, Pump Union	2
5	K115000	Nut, Pump Union	2
6	K116000	O-Ring, Pump Union	2
7	K560000	Barrier, 12" x 14" Screen	1
8	4477000	Bracket, Motor 1" High	1
9	4034832	Nut, Lockng Hd Kep Type 1/4-20	8
10	3982832	Washer, 1/4 Flt, Type A Pln Wd Ser	8
11	3689000	Vibration Damper	4



SPAS

RECIRCULATING PUMP/CORD



ITEM	P/N	DESCRIPTION	QTY
1	K120000	Recirculating Pump/Cord	1
2	K121000	Union, Recirculating Pump	2