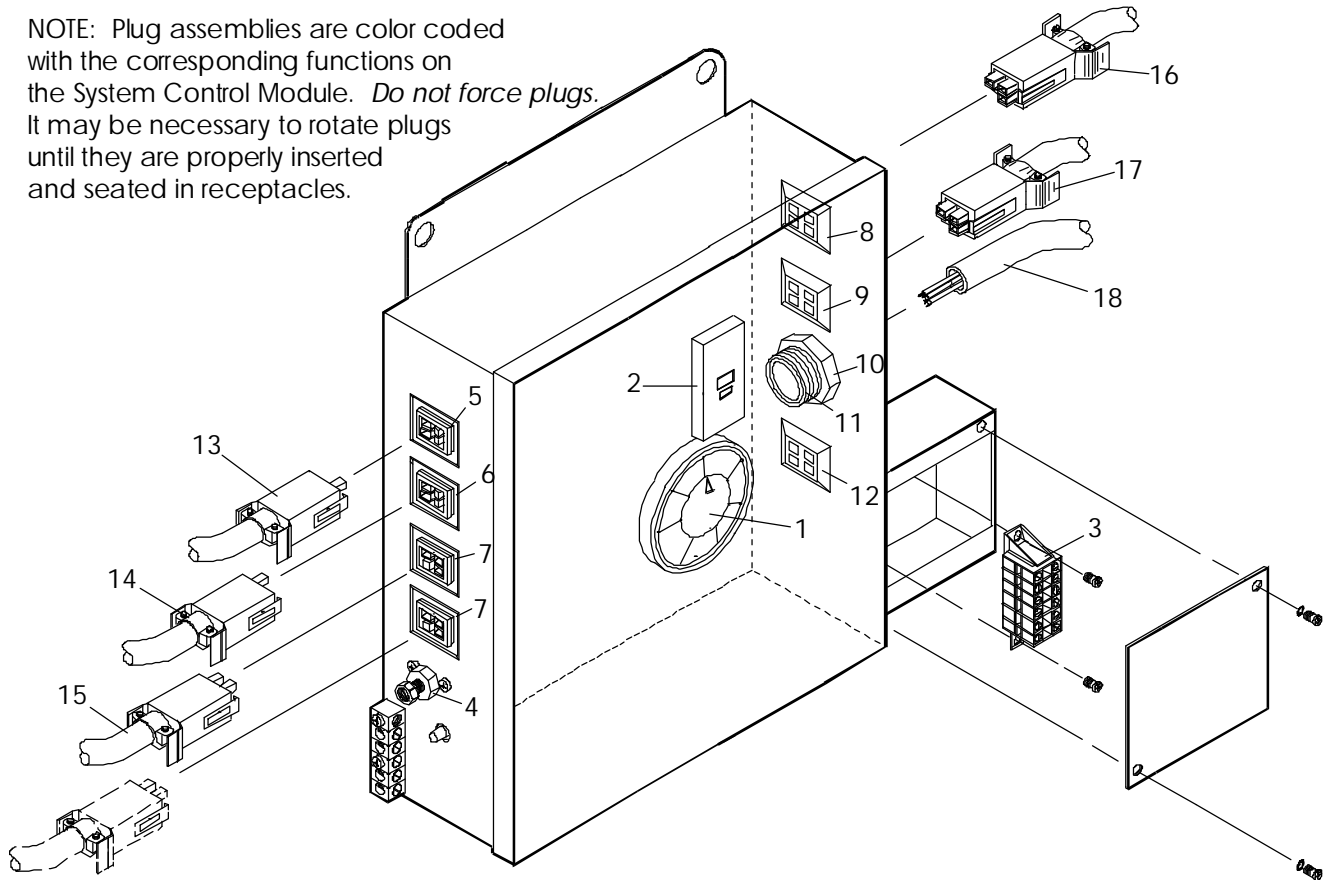




# SPAS

## 1-PUMP SYSTEM CONTROL MODULE/PLUG ASSEMBLIES

NOTE: Plug assemblies are color coded with the corresponding functions on the System Control Module. *Do not force plugs.* It may be necessary to rotate plugs until they are properly inserted and seated in receptacles.



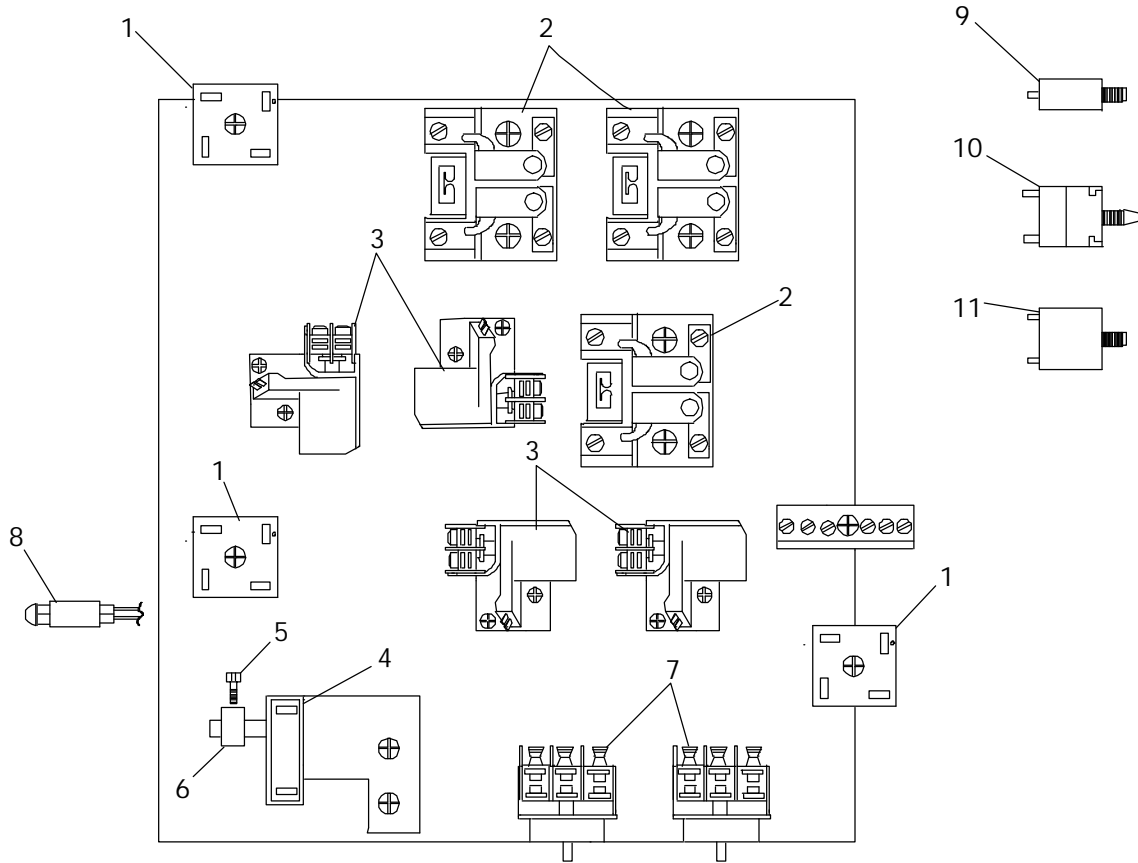
### 8705000 1-PUMP SYSTEM CONTROL MODULE REPAIR ASSEMBLY

ITEM	P/N	DESCRIPTION	QTY
1	7106000	Timer, 7 Day, SPST	1
2	7669000	GFCI, 20 Amp	1
3	9569000	Repair Terminal Block Assy, 50 Amp	1
4	8748000	Receptacle, Fibre Optic Cable	1
5	8773000	Receptacle Assy, Hi-Limit	1
6	8774000	Receptacle Assy, Flow Switch	1
7	7984000	Receptacle Assy, Light	2
8	8775000	Receptacle Assy, 2-Speed Motor	1
9	8776000	Receptacle Assy, Blower	1
10	C539000	Lock Nut, 3/4 NPT	1
11	C463000	Strain Relief, 3/4 NPT	1
12	8778000	Receptacle Assy, Blank	1
13	0407000	Plug Assy, Hi-Limit, Snap-In	1
14	7976000	Plug Assy, Flow-Switch, Snap-In	1
15	7978000	Plug/Light Assy, 13 Ft., Snap-In	1
16	8929000	Plug Assy, 2-Speed, Snap-In	1
17	7971000	Plug/Blower Assy, Snap-In	1
18	7972000	Heater Cable, Stripped	1



# SPAS

## SYSTEM CONTROL MODULE SUBPLATE/COMPONENTS (1-PUMP)



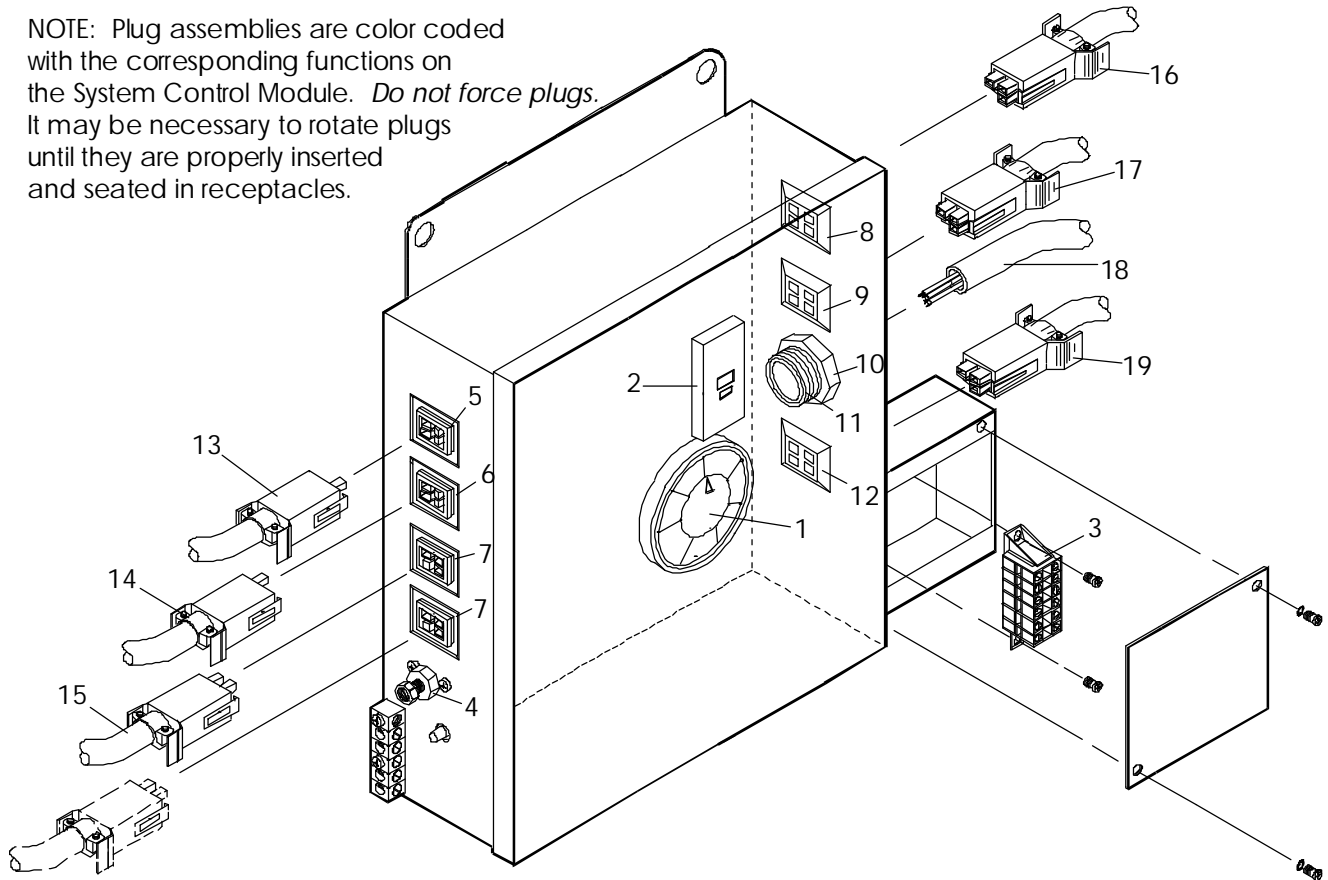
ITEM	P/N	DESCRIPTION	QTY
1	8752000	Bridge Rectifier, 1,000V	3
2	8901000	Relay, 30 Amp, 110VDC	3
3	8754000	Switch, DPDT, 110VDC	3
4	M065000	Repair Kit, Adjustable Thermostat	1
5	7127832	Screw, Thread Rolling, Hex	1
6	7109000	Adapter, Control Cable	1
7	5260000	4-Function Air Switch	2
8	7759000	Heat Indicator Repair Assembly	1
9	6506000	Circuit Protector, 20 Amp	1
10	5934000	Switch, Toggle, DPDT, 3-Position	1
11	8946000	Circuit Protector, 30 Amp	1



# SPAS

## 2-PUMP SYSTEM CONTROL MODULE/PLUG ASSEMBLIES

NOTE: Plug assemblies are color coded with the corresponding functions on the System Control Module. *Do not force plugs.* It may be necessary to rotate plugs until they are properly inserted and seated in receptacles.



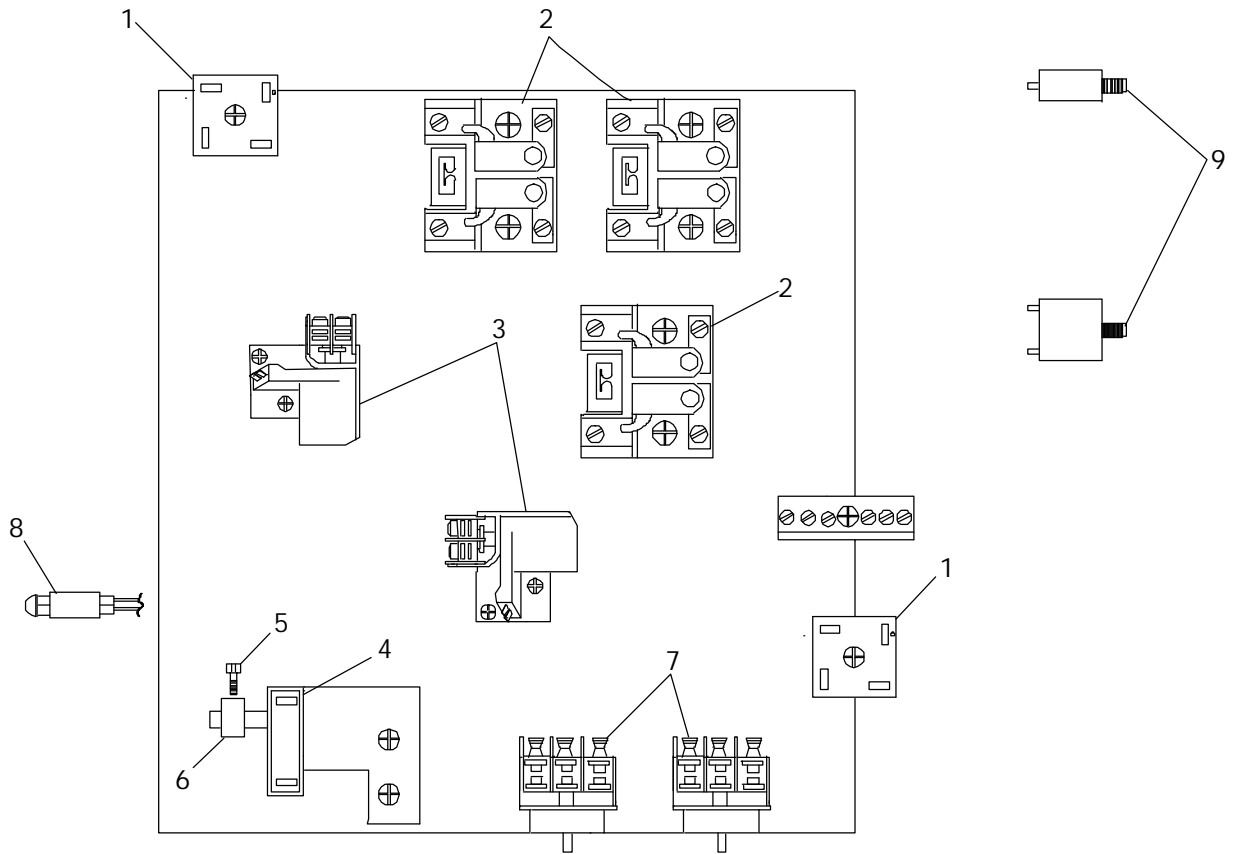
### 8045000 2-PUMP SYSTEM CONTROL MODULE REPAIR ASSEMBLY

ITEM	P/N	DESCRIPTION	QTY
1	7106000	Timer, 7 Day, SPST	1
2	7669000	GFCI, 20 Amp	1
3	9569000	Repair Terminal Block Assy, 50 Amp	1
4	8748000	Receptacle, Fibre Optic Cable	1
5	C450000	Receptacle Assy, Hi-Limit	1
6	0183000	Receptacle Assy, Flow Switch	1
7	7984000	Receptacle Assy, Light	2
8	0040000	Receptacle Assy, Jets	1
9	C452000	Receptacle Assy, Blower	1
10	C539000	Lock Nut, 3/4 NPT	1
11	C463000	Strain Relief, 3/4 NPT	1
12	0042000	Receptacle Assy, Filter	1
13	0407000	Plug Assy, Hi-Limit, Snap-In	1
14	7976000	Plug Assy, Flow-Switch, Snap-In	1
15	7978000	Plug/Light Assy, 13 Ft., Snap-In	1
16	7970000	Plug Assy, Jets, 76"L., Snap-In	1
17	7971000	Plug/Blower Assy, Snap-In	1
18	7972000	Heater Cable, Stripped	1
19	7973000	Plug Assy, Filter, 36", Snap-In	1



# SPAS

## SYSTEM CONTROL MODULE SUBPLATE/COMPONENTS (2-PUMP)

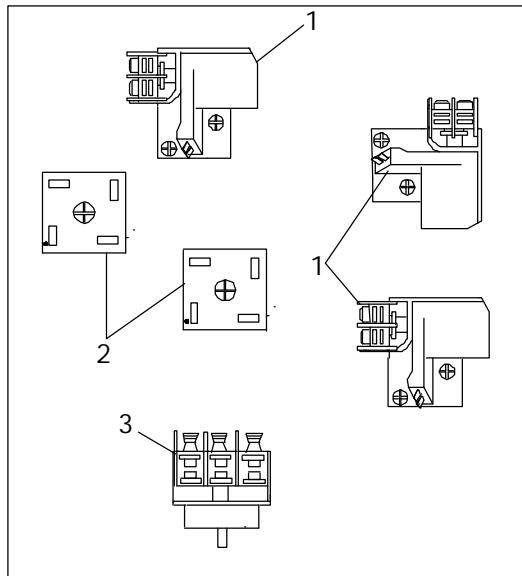


ITEM	P/N	DESCRIPTION	QTY
1	8752000	Bridge Rectifier, 1,000V	2
2	8901000	Relay, 30 Amp, 110VDC	3
3	8754000	Switch, DPDT, 110VDC	2
4	M065000	Repair Kit, Adjustable Thermostat	1
5	7127832	Screw, Thread Rolling, Hex	1
6	7109000	Adapter, Control Cable	1
7	5260000	4-Function Air Switch	2
8	7759000	Heat Indicator Repair Assembly	1
9	6506000	Circuit Protector, 20 Amp	2



# SPAS

## THREE RELAY SUBPLATE ASSEMBLY



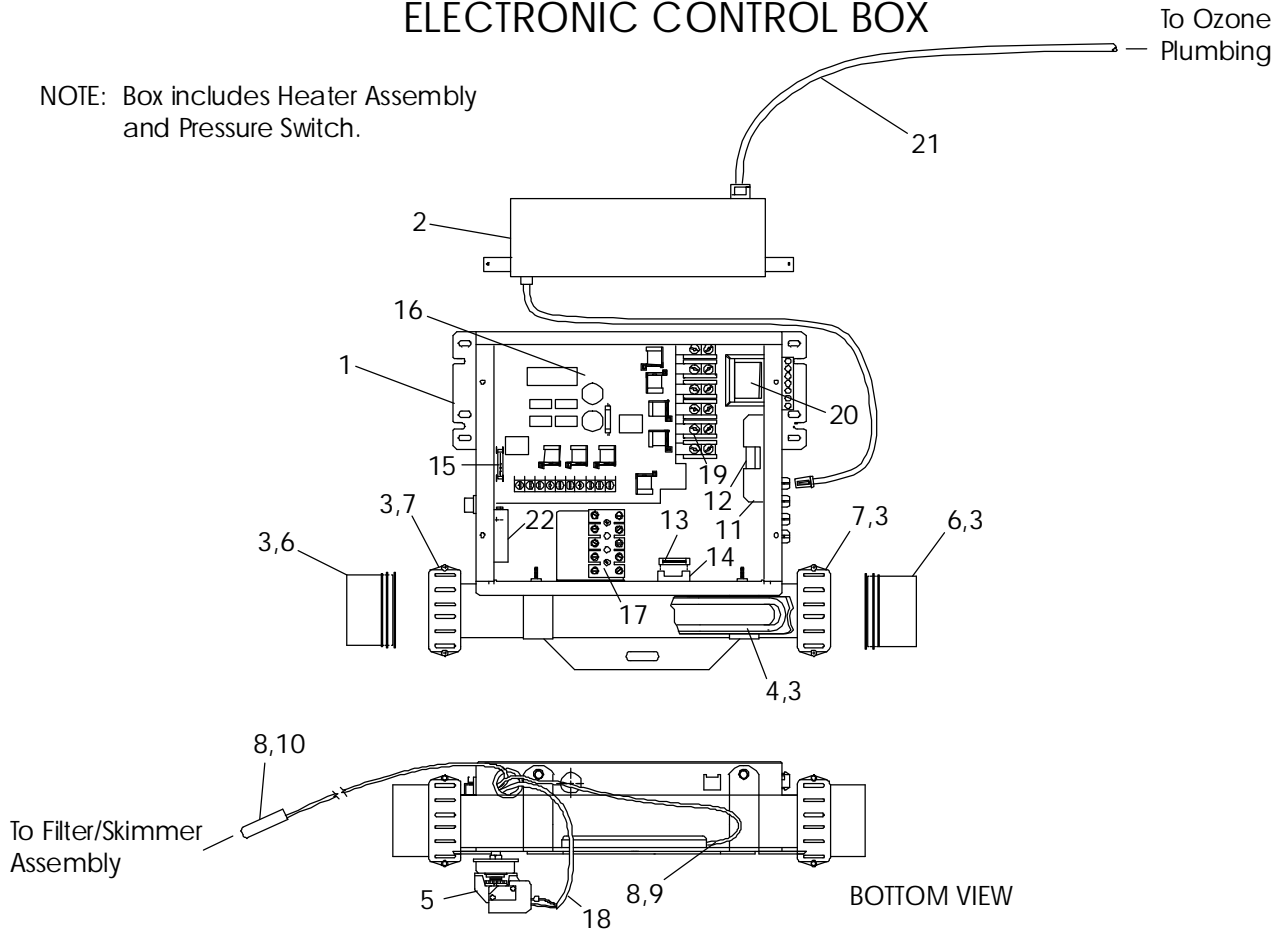
ITEM	P/N	DESCRIPTION	QTY
1	8745000	Switch, DPDT, 110VDC	3
2	8752000	Rectifier, Bridge, 1000V	2
3	5260000	Switch, 4-Function, Air Actuated	1



# SPAS

## ELECTRONIC CONTROL BOX

NOTE: Box includes Heater Assembly and Pressure Switch.



ITEM	P/N	DESCRIPTION	QTY	ITEM	P/N	DESCRIPTION	QTY
1	F106000	Balboa Box/Deluxe/240/2-Pump	1	11	F589000	Fuse Block, 30 Amp	1
1	F107000	Balboa Box/Deluxe/240 Convertible	1	12	F588000	Fuse, 30 Amp	1
1	F108000	Balboa Box/Standard/240/2-Pump	1	12	H316000	Fuse, 20 Amp	1
1	F109000	Balboa Box/Standard/240 Convertible	1	13	F586000	Fuse, 10 Amp	1
1	H136000	Balboa Box/Duplex/120 Convertible	1	14	F587000	Fuse Block, 10 Amp	1
1	H276000	Balboa Box/2-Pump/230V	1	15	F585000	Fuse, 3 Amp, Fast Blow	1
1	H716000	Balboa Digital Duplex 240/2-Pump	1	16	F809000	PC Board, F106/7, Deluxe Digital	1
1	K286000	Balboa Box/Deluxe/240V/3-Pump	1	16	F810000	PC Board, F108/9, Standard Digital	1
2	G216000	Ozone Generator, Hercules	1	16	H311000	PC Board, H136 Duplex Control Box	1
2	G360000	Ozone Generator, Prozone	1	16	J118000	PC Board, H276 Duplex Control Box	1
3	F801000	Heater Kit	1	16	J852000	PC Board, H716 Digital Duplex Box	1
4	F802000	Heater Assembly	1	16	K623000	PC Board, K286 3-Pump Control Box	1
4	K464000	Heater, 5.5 kW, Low Flow	1	17	F574000	Terminal Strip, 50 Amp, 5 Position	1
5	F800000	Pressure Switch, 2-Pump/3-Pump	1	18	F575000	Wire Assembly, Pressure Switch	1
5	G323000	Pressure Switch, 1-Pump	1	19	F580000	Terminal Block, 6 Circuit	1
6	F803000	Tail Piece	2	20	F581000	Transformer, 120V CT	1
7	F804000	Nut, Black, 2 Part	2	20	F317000	Transformer, 240V CT	1
8	F805000	Sensor Assembly	1	20	K285000	Transformer, Balboa Duplex	1
9	F806000	Sensor Only, 48"	1	21	G215000	Tubing, Ozone Generator	1
10	F807000	Sensor Only, 96"	1	22	F573000	Battery, Ni-Cad, 7.2 Volt	1