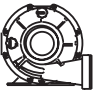


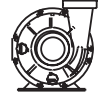
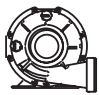
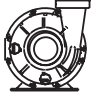
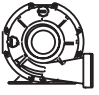


# Pumps

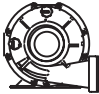
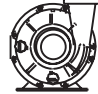
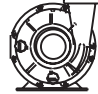
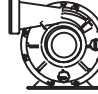

## 2004 Pump Matrix

### Domestic

Volts/Hz	240V 60Hz					120V 60Hz	
Motor	2 Speed		1 Speed		1 Speed	2 Speed	
Complete Pump	6500-254	6500-261	6500-263	6500-307	6500-269	6500-259	6500-258
Rotation	 3:00 O'clock	 1:30 O'clock	 9:00 O'clock	 12:00 O'clock	 3:00 O'clock	 12:00 O'clock	 3:00 O'clock
	J-335 #1 J-345 #1 J-355 #1 J-365 #1	J-375 #1 J-385 #1	J-345 #2 J-365 #2	J-355 #2 J-375 #2 J-385 #2	J-385 #3	J-325 #1	J-315 #1
Motor Only	6500-270	6500-270	6500-271	6500-271	6500-271	6500-277	6500-277

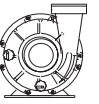
Note: All pump housings are universal and can be rotated to any configuration listed above.

### Export (50Hz)

Volts/Hz	230V 50Hz				
Motor	2 Speed		1 Speed		
Complete Pump	6500-299	6500-291	6500-124	6500-239	6500-240
Rotation	 3:00 O'clock	 12:00 O'clock	 12:00 O'clock	 9:00 O'clock	 1:30 O'clock
	J-315 #1 J-335 #1 J-345 #1 J-355 #1 J-365 #1 J-375 #1 J-385 #1	J-325 #1	J-355 #2 J-375 #2 J-385 #2	J-345 #2 J-365 #2	J-385 #3

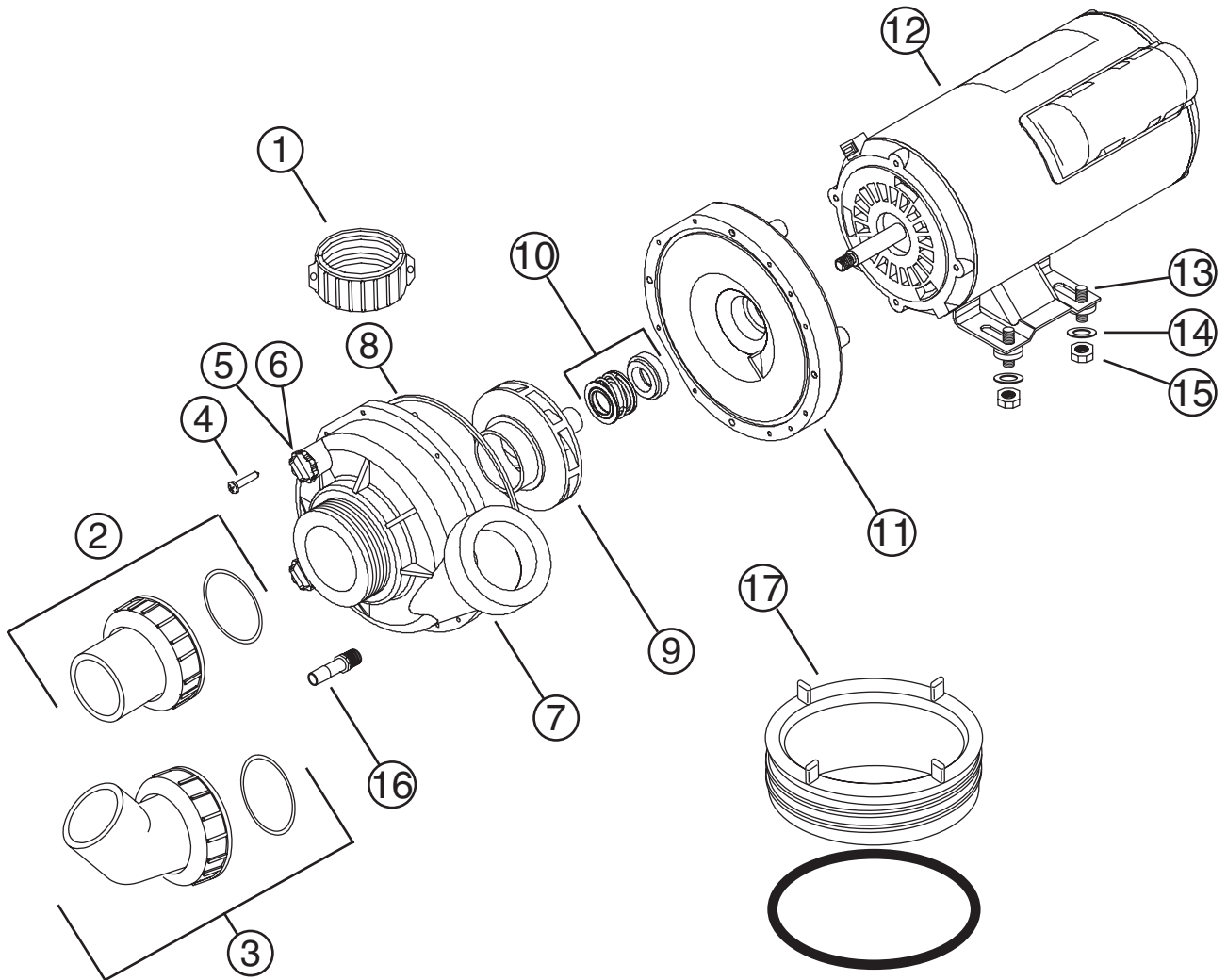
Note: All pump housings are universal and can be rotated to any configuration listed above.





# Pumps

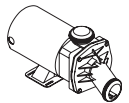
## 2002+ Pump Assembly



Note: All pump housings are universal and can be rotated to any configuration listed on the previous pages.

Item	Description	JP #
1	Nut: Split Replacement 2"	6000-031
2	Union: Assembly 2" (Straight)	6500-232
3	Union: Assembly 2" (45°)	6500-037
4	Screw: Self Tapping	6570-070
5	Plug: Drain .25" NPSM	6500-255
6	O-ring: Drain Plug .487" I.D.	6500-256
7	Housing: Front	6500-288
8	O-ring: Front Housing	6500-290
9A	Impeller: (USA/Canada) 2.5hp	6500-295
9B	Impeller: (Export/50Hz) 2.5hp	6500-298

Item	Description	JP #
9C	Impeller: (USA/Canada) 2.0hp	6500-309
9D	Impeller: (USA/Canada) 1.5hp	6500-308
10	Seal: Assembly	6500-805
11A	Housing: Rear Bracket	6500-311
12	Motor: Replacement	See Matrix
13	Insulator: 3/4"	6570-023
14	Washer: Split Lock 5/16"	6570-127
15	Nut: Hex 5/16"	6570-126
16	Adapter: MIPT x Barb .25" x .375"	6540-030
17	Plug: Jacuzzi Filter	6000-285



# Pumps

## 2001 and Previous Pump Matrix

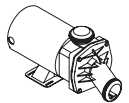
<u>Model Name</u>	<u>Model #</u>	<u>Pump 1</u>	<u>Pump 2</u>	<u>Circ Pump</u>
Laser	R270	2500-250	<del>2500-204</del> <sup>2</sup>	2500-260
Pinnacle	R300	<del>2500-204</del> <sup>2</sup>	<del>2500-204</del> <sup>2</sup>	2500-260
Quantum	R280	<del>2500-204</del> <sup>2</sup>	<del>2500-204</del> <sup>2</sup>	2500-260
Santina	R290	2500-250	<del>2500-204</del> <sup>2</sup>	2500-260
Triton	R310	<del>2500-205</del> <sup>3</sup>	<del>2500-205</del> <sup>3</sup>	2500-260
Triton w/o Stereo	S125	<del>2500-205</del> <sup>3</sup>	<del>2500-205</del> <sup>3</sup>	2500-260
Aero	M450	2500-250	2500-250	N/A
Alexa	K010	2500-255	N/A	N/A
Laser Select	R275	2500-250	2500-251	N/A
Palio	R400	2500-255	N/A	N/A
Santina Select	R295	2500-250	2500-251	N/A
Solaris Select	J140	2500-250	2500-250	N/A
Aero Plus	C460	2500-255	N/A	N/A
Aero Plus	E790	2500-255	N/A	N/A
Alexa	D600	2500-255	N/A	N/A
Laser Plus	N800	2500-250	2500-251	N/A
Laser Plus	H880	2500-250	<del>2500-204</del> <sup>2</sup>	N/A
Laser Select	N825	2500-250	2500-251	N/A
Laser Select	H890	2500-250	2500-251	N/A
Lexus Plus	F290	2500-250	2500-250	N/A
Lexus	F291	2500-250	2500-250	N/A
Lexus L.C.	F292	2500-250	2500-250	N/A
Palio Select	K770	2500-255	N/A	N/A
Pinnacle Plus	K100	<del>2500-204</del> <sup>2</sup>	<del>2500-204</del> <sup>2</sup>	2600-110 <sup>1</sup>
Pinnacle Plus	P700	<del>2500-204</del> <sup>2</sup>	<del>2500-204</del> <sup>2</sup>	2600-110 <sup>1</sup>
Quantum Plus	K780	<del>2500-204</del> <sup>2</sup>	<del>2500-204</del> <sup>2</sup>	2600-110 <sup>1</sup>
Quantum Plus	P725	<del>2500-204</del> <sup>2</sup>	<del>2500-204</del> <sup>2</sup>	2600-110 <sup>1</sup>
Quantum Plus	F160	2500-250	2500-251	N/A
Santina Plus	H860	2500-250	<del>2500-204</del> <sup>2</sup>	N/A
Santina Plus	N750	2500-250	<del>2500-204</del> <sup>2</sup>	N/A
Santina Select	H870	2500-250	2500-251	N/A
Santina	F300	2500-250	2500-250	N/A
Solaris Plus	E800	2500-250	2500-250	N/A
Tirage Plus	F280	2500-250	2500-251	N/A
Vectra	N925	2500-255	N/A	N/A
Vectra II	E400	2500-255	N/A	N/A

*This part number has been obseleted. Please use part number 6500-035. You must reuse the plug on the old pump as the 6500-035 does not come with a plug.*

<sup>1</sup>This is a Retro Fit Motor Kit. If the spa has already had the Tiny Mite pump replaced, you will only need a replacement Aqua-Flo, the part number is 2500-259.

<sup>2</sup>2500-201 has been obseleted. Please use the new part number 6500-267.

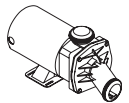
<sup>3</sup>2500-205 has been obseleted. Please use the new part number 6500-266



# Pumps

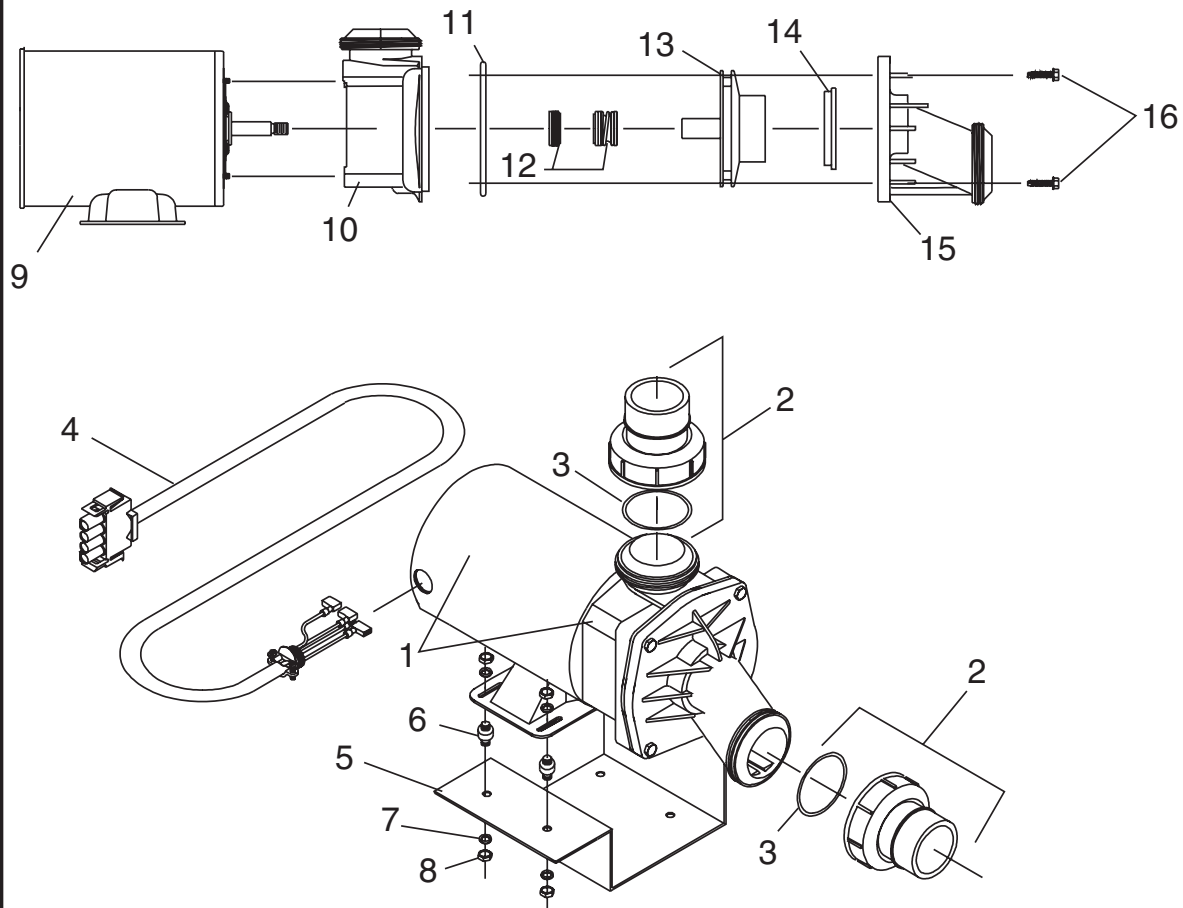
## Echo Matrix

<u>Model Name</u>	<u>Model #</u>	<u>Pump 1</u>	<u>Pump 2</u>
Z112 (Digital)	S710	2500-255	N/A
Z112 (Analog)	S710	2500-255	N/A
Z135	S260	2500-255	N/A
Z235	S270	2500-250	2500-250
Z240	S280	2500-250	2500-250
Z255	R560	2500-250	2500-251
Z110	F511	2500-255	N/A
M310/Z110 (Analog)	H490	2500-255	N/A
M310/Z110 (Digital)	H490	2500-255	N/A
Z120	E920	2500-255	N/A
M320/Z120	H500	2500-255	N/A
Z130	F296	2500-250	2500-250
Z140	H850	2500-250	2500-250
M340/Z140 (Analog)	H850	2500-250	2500-250
M340/Z140 (Digital)	H850	2500-250	2500-250
M345/Z145 (Analog)	H240	2500-255	N/A
M345/Z145 (Digital)	H240	2500-255	N/A
M350/Z150 (Analog)	H250	2500-250	2500-250
M350/Z150 (Digital)	H250	2500-250	2500-250
M300/Z100	J200	2500-255	N/A
M315/Z115	H230	2500-255	N/A
M301/Z101	R335	2500-255	N/A

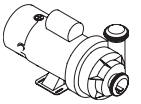


# Pumps

## 240V J-Pump/Motor Assembly



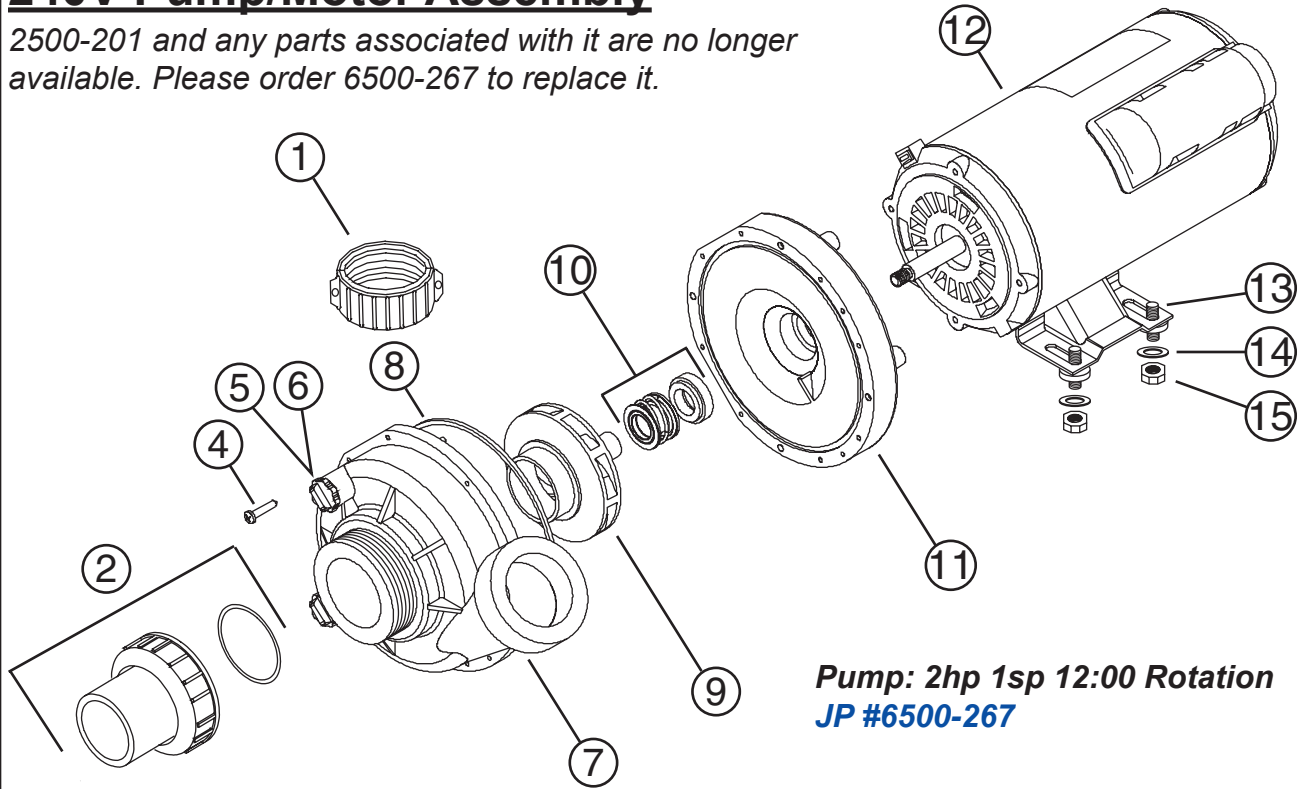
Item	Description	JP #	JWB #
1	Pump: 240V J Pump (No Power Cable)	<a href="#">2500-250</a>	F569000
2	Union: Repair Kit	<a href="#">2000-170</a>	9250000
3	O-ring: Union	<a href="#">2540-294</a>	9231000
4	Cable: Assembly 42"L Snap-in	<a href="#">2560-035</a>	R730000
5	Bracket: Motor 1" High	<a href="#">2570-030</a>	4477000
6	Insulator: 1/2"	<a href="#">2570-090</a>	3689000
7	Washer: 3/8"	<a href="#">6570-509</a>	3982000
8	Nut: Locking 1/4-20	<a href="#">2570-065</a>	4034832
9	Motor: 240V 60Hz (J Pump)	<a href="#">2500-200</a>	C175000
10	Bracket: J Pump (Rear Housing)	<a href="#">2570-200</a>	F156000
11	O-ring: Pump Housing (J Pump, K Pump)	<a href="#">2500-230</a>	9246000
12	Seal: Mechanical Shaft	<a href="#">6500-281</a>	9245000
13	Impeller: J Pump	<a href="#">2500-210</a>	9221000
14	Seal: Eye J Pump	<a href="#">2500-240</a>	9243000
15	Volute: J Pump	<a href="#">2500-220</a>	F157000
16	Screw: Housing J Pump	<a href="#">2570-077</a>	F158000



# Pumps

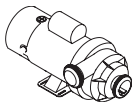
## 240V Pump/Motor Assembly

2500-201 and any parts associated with it are no longer available. Please order 6500-267 to replace it.



**Pump: 2hp 1sp 12:00 Rotation**  
**JP #6500-267**

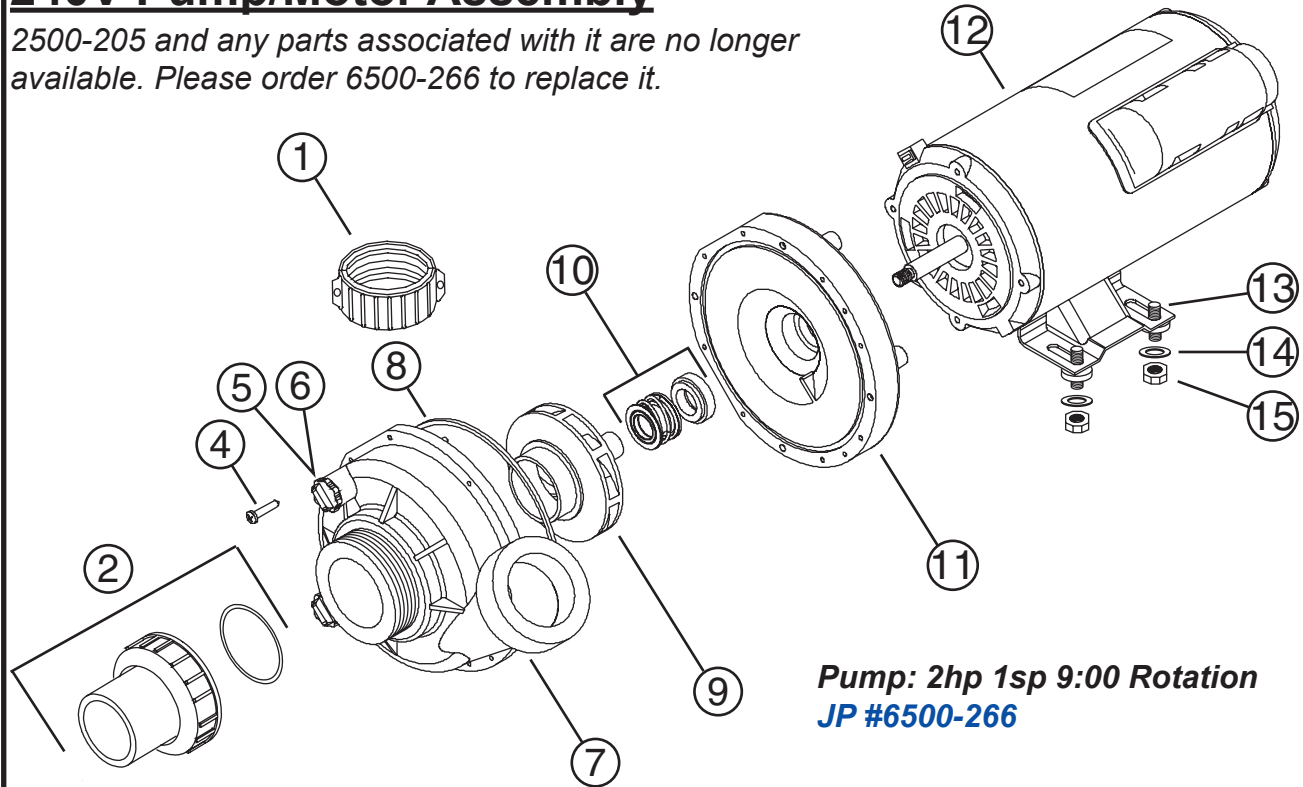
Item	Description	JP #
1	Nut: Split Replacement 2"	6000-031
2	Union: Assembly 2" (Straight)	6500-232
3	Union: Assembly 2" (45°)	6500-037
4	Screw: Self Tapping	6570-070
5	Plug: Drain .25" NPSM	6500-255
6	O-ring: Drain Plug .487" I.D.	6500-256
7	Housing: Front	6500-288
8	O-ring: Front Housing	6500-290
9	Impeller: 2.5hp	6500-309
10	Seal: Assembly	6500-805
11	Housing: Rear Bracket	6500-311
12	Motor: Replacement	6500-271
13	Insulator: 3/4"	6570-023
14	Washer: Split Lock 5/16"	6570-127
15	Nut: Hex 5/16"	6570-126



# Pumps

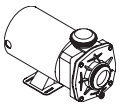
## 240V Pump/Motor Assembly

2500-205 and any parts associated with it are no longer available. Please order 6500-266 to replace it.



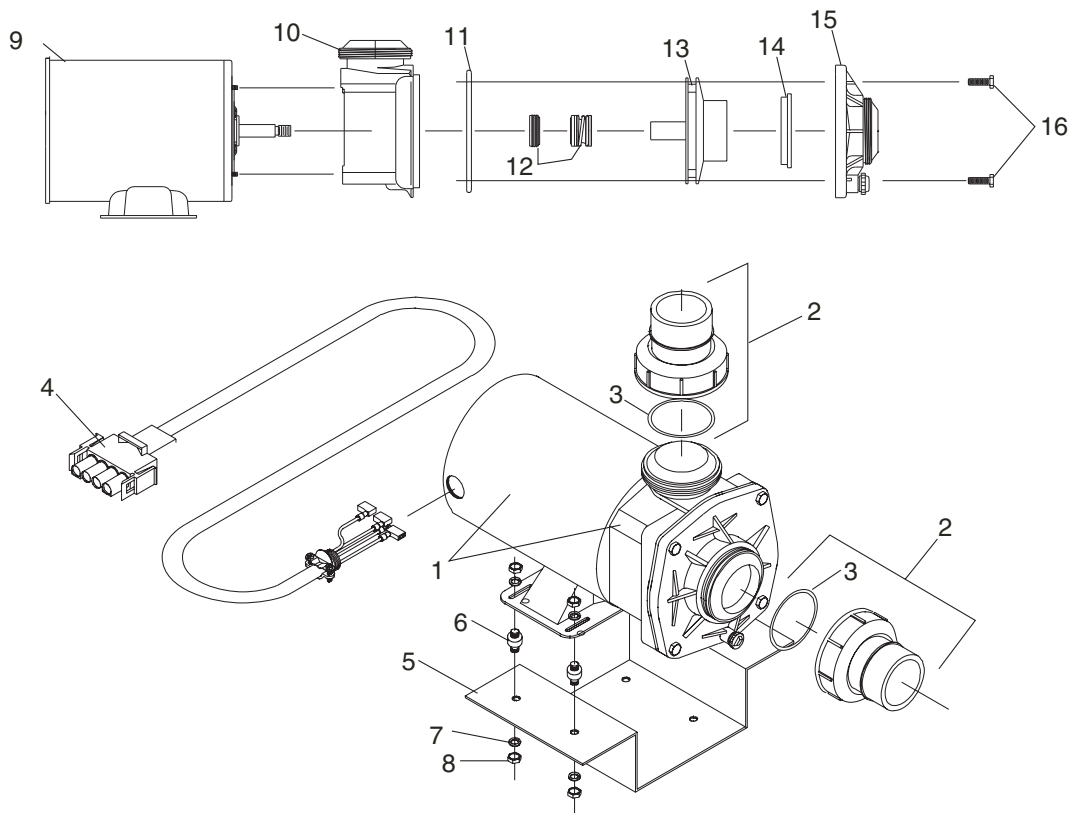
**Pump: 2hp 1sp 9:00 Rotation**  
**JP #6500-266**

Item	Description	JP #
1	Nut: Split Replacement 2"	6000-031
2	Union: Assembly 2" (Straight)	6500-232
3	Union: Assembly 2" (45°)	6500-037
4	Screw: Self Tapping	6570-070
5	Plug: Drain .25" NPSM	6500-255
6	O-ring: Drain Plug .487" I.D.	6500-256
7	Housing: Front	6500-288
8	O-ring: Front Housing	6500-290
9	Impeller: 2.5hp	6500-309
10	Seal: Assembly	6500-805
11	Housing: Rear Bracket	6500-311
12	Motor: Replacement	6500-271
13	Insulator: 3/4"	6570-023
14	Washer: Split Lock 5/16"	6570-127
15	Nut: Hex 5/16"	6570-126

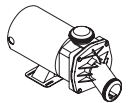


# Pumps

## 240V K Pump/Motor Assembly

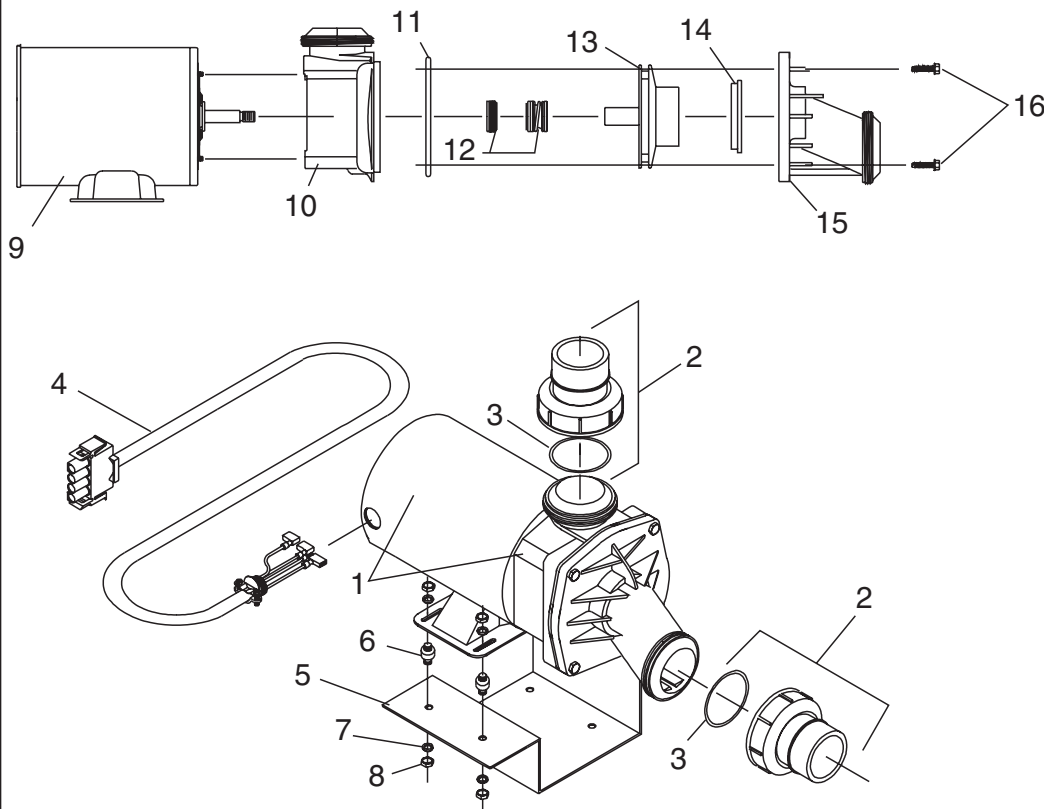


Item	Description	JP #	JWB #
1	Pump: 240V K Pump (No Power Cable)	<a href="#">2500-251</a>	C182000
2	Union: Repair Kit	<a href="#">2000-170</a>	9250000
3	O-ring: Union	<a href="#">2540-294</a>	9231000
4	Cable: Assembly 76"L Snap-in (All)	<a href="#">2560-036</a>	F121000
5	Bracket: Motor 1" High	<a href="#">2570-030</a>	4477000
6	Insulator: 1/2"	<a href="#">2570-090</a>	3689000
7	Washer: 3/8"	<a href="#">6570-509</a>	3982000
8	Nut: Locking 1/4-20	<a href="#">2570-065</a>	4034832
9	Motor: 240V 60Hz (K Pump)	<a href="#">2500-203</a>	C185000
10	Bracket: J Pump (Rear Housing)	<a href="#">2570-201</a>	9247000
11	O-ring: Pump Housing (J Pump, K Pump)	<a href="#">2500-230</a>	9246000
12	Seal: Mechanical Shaft	<a href="#">6500-281</a>	9245000
13	Impeller: K Pump	<a href="#">2500-212</a>	B913000
14	Seal: Eye J Pump	<a href="#">2500-240</a>	9243000
15	Volute: K Pump	<a href="#">2500-221</a>	F189000
16	Screw: Housing K Pump	<a href="#">2570-068</a>	7939000

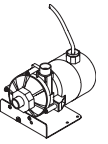


# Pumps

## 120V J Pump/Motor Assembly

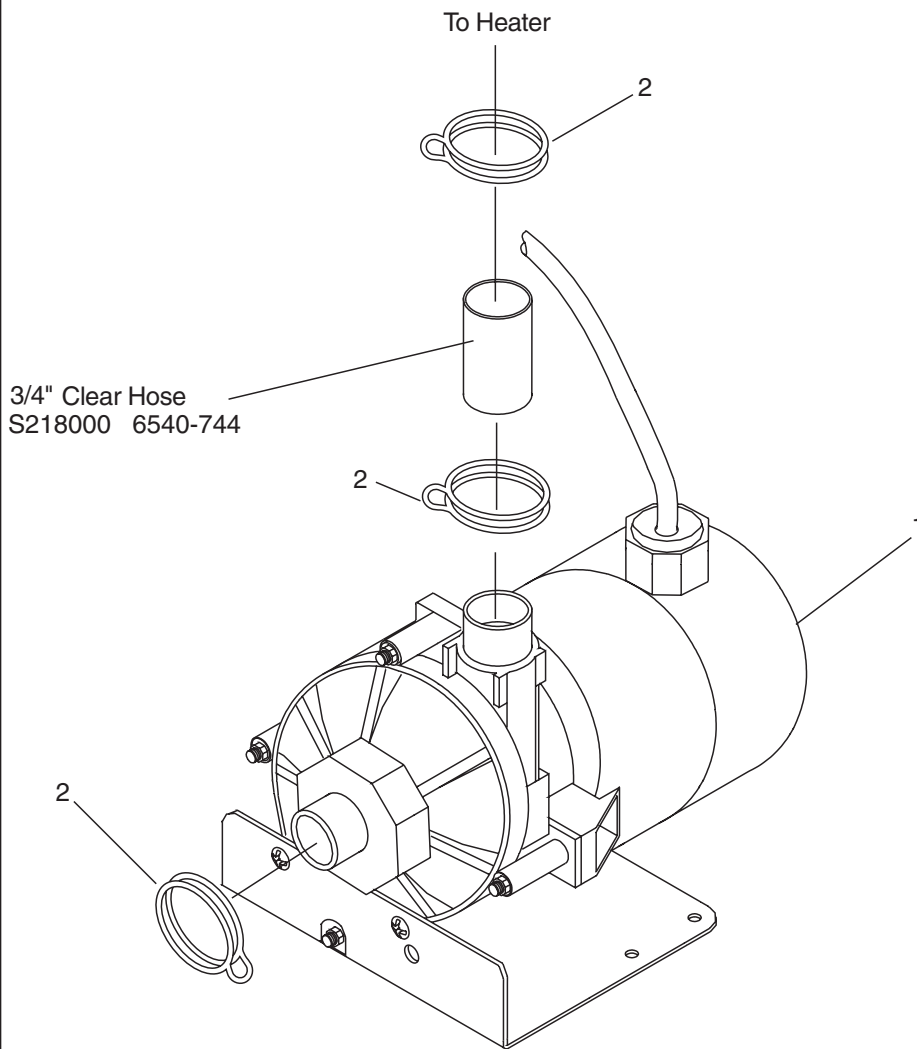


<i>Item</i>	<i>Description</i>	<i>JP #</i>	<i>JWB #</i>
1	Pump: 120V J Pump (No Power Cable)	<a href="#">2500-255</a>	F570000
2	Union: Repair Kit	<a href="#">2000-170</a>	9250000
3	O-ring: Union	<a href="#">2540-294</a>	9231000
4	Cable: 2-Speed 42\"/>		



# Pumps

## Circulation Pumps (All)



Item	Description	JP #	JWB #
1	Pump: Circulation 240V 60Hz w/Cord (2000+)	6500-035	N/A
1	Pump: Circulation 120V 60Hz w/Cord (2002+)	6500-038	N/A
1	<i>Pump: Circulation 230V 50Hz Export w/Cord (2002+)</i>	6500-023	N/A
1	*Pump: Circulation 240V 60Hz (2000-2001)*	<del>2500-260</del>	<del>R325000</del>
2	Clamp: 3/4" Stainless Steel	6570-099	9666000
N/S	Retro Fit Motor Kit (K100, P700, K780, P725)	2600-110	R018000
N/S	Pump: Circulation Replacement (AquaFlo for Retro Kit)	2500-259	P974000

\*2500-260 has been obseleted. Please use 6500-035 to replace it. You must use the plug from the old circulation pump. The 6500-035 does not come with a plug.\*